

**OVERHEAD CONSOLE
 OVERVIEW**

PREPARED FOR
**FASTLANE
 EMERGENCY
 VEHICLES**

INTERNAL NAME	REV #
FASTLANE DEMO 18 (90507) OHC	2

DESIGNER	DRAWING DATE
M FARFAN	11/12/2014

PRODUCTION/JOB NUMBER
90507

VEHICLE TYPE
 2015 CHEVY TAHOE

SHEET | OF |

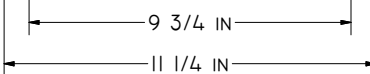
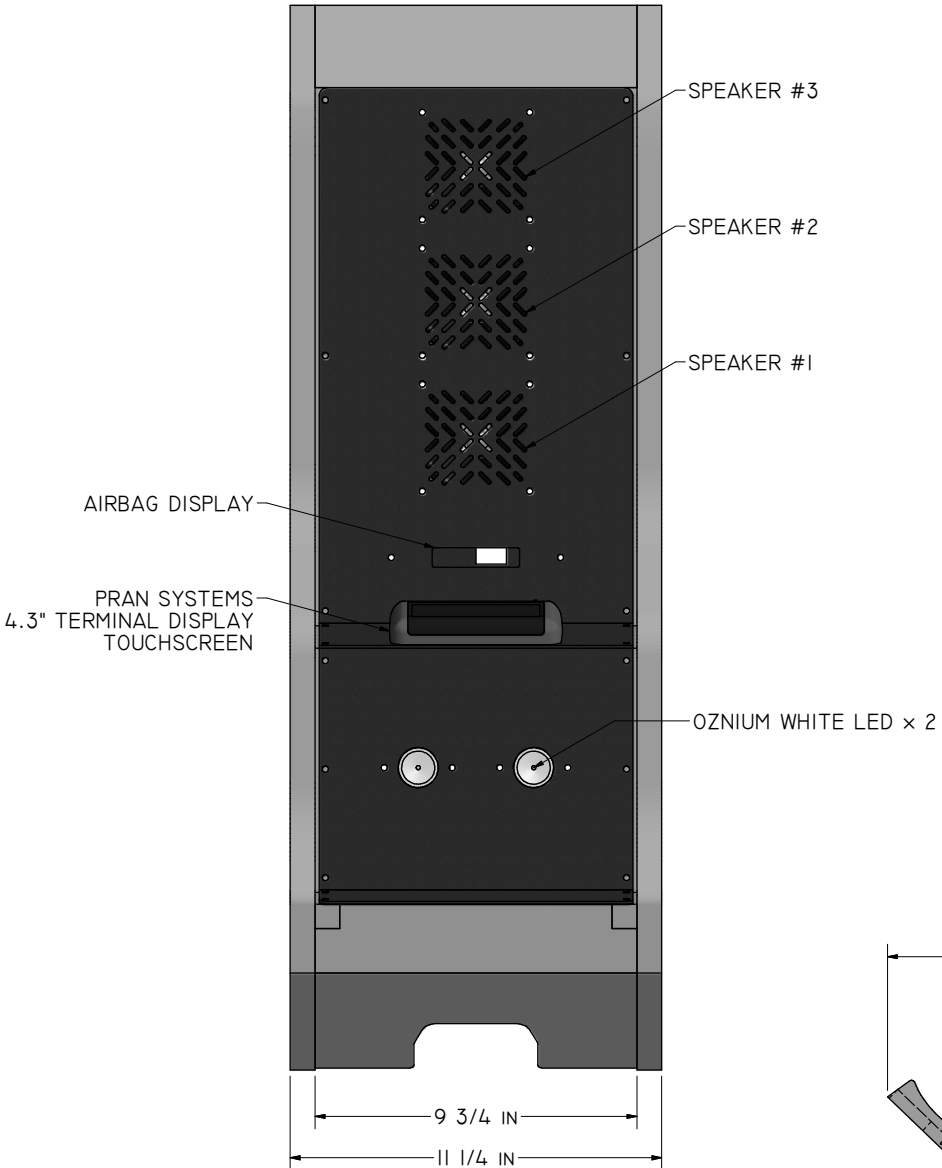
FINISH SCHEDULE	INITIALS
INTERIOR COLOR GRAY	
INTERIOR SURFACE POLYBUILD	
EXTERIOR COLOR GRAY	
EXTERIOR SURFACE POLYBUILD	
DOORS N/A	
DRAWER FACES / PLATES .090" ALUMINUM	

IMPORTANT
 ALL DESIGNS ARE PROPERTY OF
 FASTLANE EMERGENCY VEHICLES.
 ALL ITEMS LISTED ON THIS DRAWING
 ARE FOR ILLUSTRATIVE PURPOSES
 ONLY.
 NO ITEMS OR PRODUCTS DEPICTED HERE
 SHALL BE CONSIDERED "INCLUDED" IN
 THIS PROJECT UNLESS SPECIFICALLY
 LISTED IN THE VEHICLE BUILD ORDER.
 FASTLANE RESERVES THE RIGHT TO
 MODIFY SOME SHAPES AND
 NON-CRITICAL DIMENSIONS AT TIME OF
 CONSTRUCTION.
 ALL RIGHTS RESERVED.
 COPYRIGHT 1995-2014.

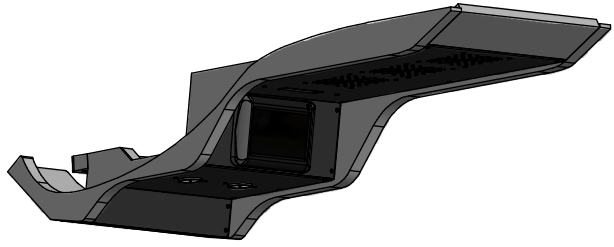
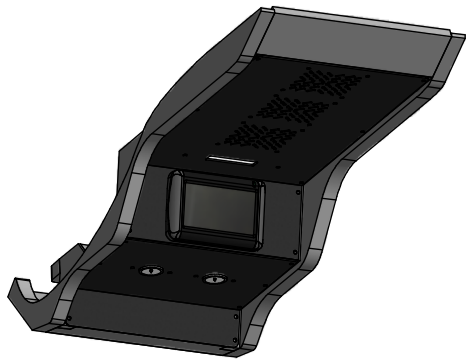
CUSTOMER APPROVAL

SIGNATURE

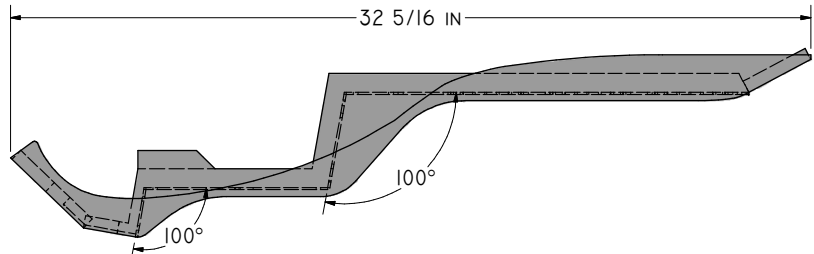
DATE



BOTTOM VIEW



ISOMETRIC VIEWS



SIDE VIEW